

RANCO

by WESTERN

888-424-4004 | sales@ranco.com

RANCO ALUMINUM EXTRUDED/DOUBLE HIGH WALL END DUMP



SPECIFICATIONS

- Capacity: Not to Exceed DOT Bridge Laws, Distributed
- 468" Length
- 39' OAL at Lower Rail
- 60" High Sides
- Full DOT Sealed Lights

AVAILABLE OPTIONS

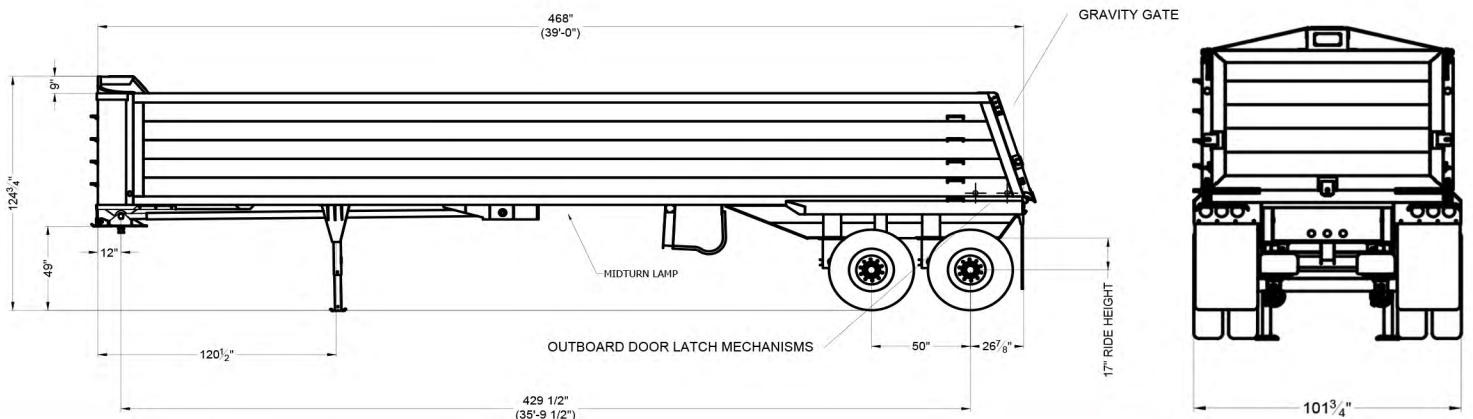
- Tarps
- Aluminum wheels
- 3/8" HMW Floor Liner Only
- Spare tire rack
- 3rd Brake light

FRAME & DUMP BODY

- 5454 H32 Aluminum Box, 1/4" Thick Floor, 3/16" Thick Wall Face, Hollow Core, 96" Wide on 102" Wide Axles, 60" Wall
- 4" High Aluminum Floor Structure Channel, 12" on Center
- 8" DIA Hoist, 5 Stage, Single Acting, 265" Stroke
- Gravity Rear Gate, with (2) Air Cylinder Gate Latches, Valved to the Draft Arm Movement
- Wide Set Steel Tubular Draft Arm
- Steel Drop Legs, Mounted to the Draft Arms
- 18" Deep Subframe Extruded Heavy Aluminum Beam, Including Internal Structure
- 3/16" Aluminum Nose 5454-H32, with Heavy Doghouse Structure for Joist Support

UNDERCARRIAGE

- Bolt on Watson Chalin Integra Air Ride Suspension
- 10 Hole, Hub Pilot, Steel Wheels
- 11R x 24.5, 16ply Tires
- 16 1/2 X 7 Brakes with Wabco 4S-2M ABS System
- One Tire Carrier, Mounted Ahead of the Suspension Frame
- Anti-sail Mud Flaps



sales@ranco.com | (888) 424-4004