

RANCO

by WESTERN

888-424-4004 | sales@ranco.com

RANCO DUMP BODY

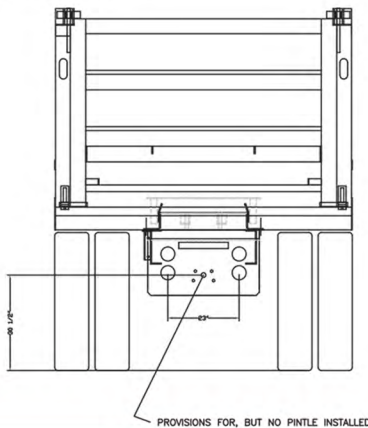


DIMENSIONS:

- Varying Lengths
- 60" High Wall

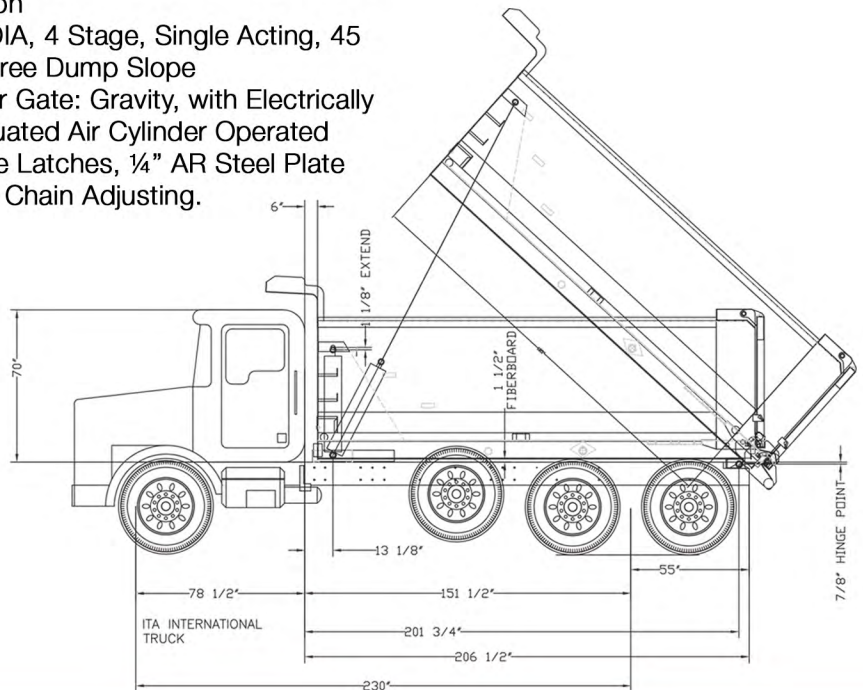
FEATURES:

- Full Dot Lights, Led Sealed Lights
- Tarps Available Per Customer Specification
- Side Steps on Front and Internal To The Box
- Cab Protector Installed on Front Structure, 78" Cab Clear
- 22-Gal Oil Tank
- Polyurethane Paint Direct to Blasted Metal
- Body Prop Installed



DUMP BODY

- Steel Elliptical Dump Body, 26" Lower Radius
- Box: 1/4" AR Steel Plate, 84 1/2" Inside Width, 3 X 4 Upper Rail Tube with Shedder, 60" Wall Height
- 2 X 8 Steel Tube Subframe, with 10" Apron
- 7" DIA, 4 Stage, Single Acting, 45 Degree Dump Slope
- Rear Gate: Gravity, with Electrically Actuated Air Cylinder Operated Gate Latches, 1/4" AR Steel Plate and Chain Adjusting.
- Front Panel: 1/4" AR Steel, with Heavy Doghouse Structure For Hoist Support.
- Bushings: All Joints with Greaseable Fittings.



sales@ranco.com | (888) 424-4004