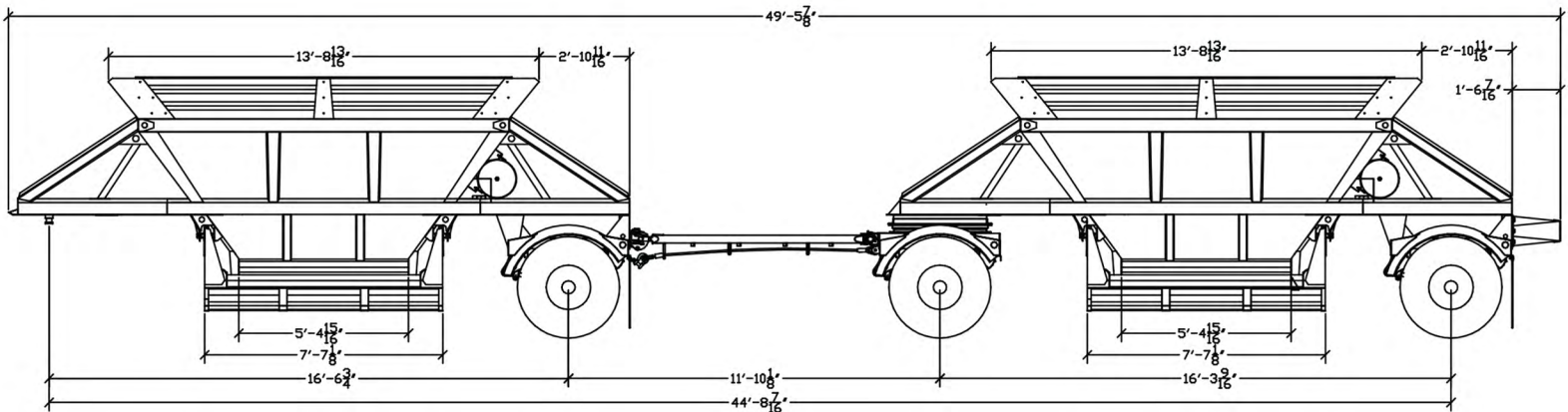


RANCO

by WESTERN

888-424-4004 | sales@ranco.com

RANCO STEEL SUPER LIGHT WEIGHT MINI BOTTOM DUMP



UNDERCARRIAGE:

- ABS Braking System.
- 445/50R22.5 Super Single Tires on Aluminum Wheels
- DOT Approved Plumbing System
- 5" Round Axles, 71.5" Track, 16.5"X7" Brake, Auto Slack Adjusters, Duralite Hubs with Centrafuse Drums.

GATES & HOPPER:

- 12 Gauge Hi-Tensile Gates
- Versa Valve Gate Controls on Left, Electrically Actuated from Truck Cab
- Gate Hoses Are 1/2" with One Quick Release Valve Per Cylinder
- 6" Composite Gate Cylinder

DIMENSIONS:

- 29 Cubic Yard Capacity Per Set (Approx.)
- 9,990lbs Weight Per Set (Approx.)

FEATURES:

- DOT Approved 12 Volt Sealed Lighting System, LED Lights
- German Double Ball Bearing Turntable
- 16 Gauge Hi-Tensile Steel Skins
- Hi-Tensile Steel Frame
- 16 Gauge Aluminum Steel Bang Boards
- 16 Gauge Aluminum Steel Shed Plate
- Aluminum Fenders



sales@ranco.com | (888) 424-4004